

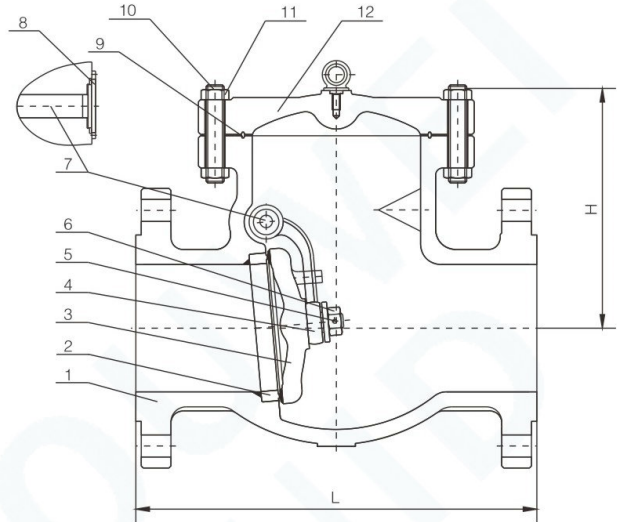
## ANSI CAST STEEL SWING CHECK VALVE

### Technical Parameter

Nominal Size: 2"~48"(DN50~DN1200)  
 Pressure rating: Class150LB~900LB  
 Body Material: WCB, CF8, CF8M, CF3, CF3M, LCB,2205 Etc.  
 Design Standard: BS1868,ASME B16.34  
 Face to Face: ASME B16.10  
 End Flange: ASME B16.5,ASME B16.47  
 BW Ends: ASME B16.25  
 Inspection and Test: API598  
 Mark: NACE MR-01-75

### Design Features

Low fluid resistance;  
 Close quickly and move sensitively;  
 Small closing impact, less prone to water hammer;  
 Can choose a heavy hammer or gear opening structure;  
 Options for soft sealing design;  
 Options to lock the valve disc position in the fully open position;  
 Optional jacket insulation design.

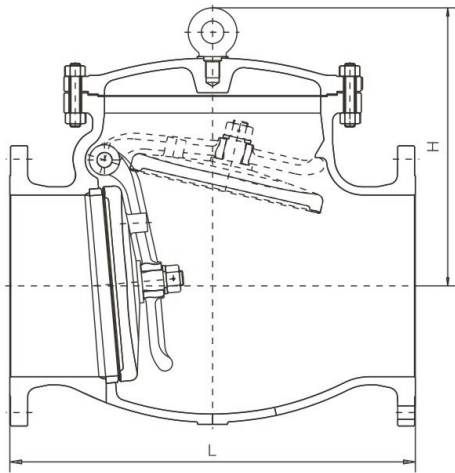


### Material List

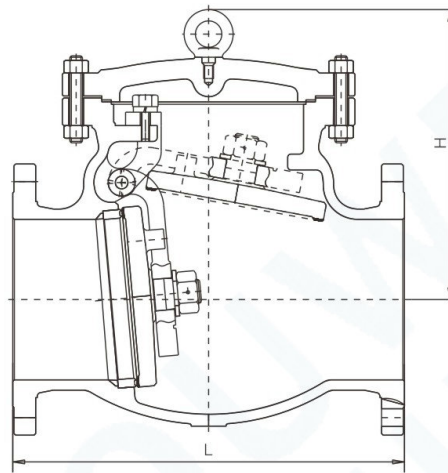
No.	Part name	Standard material	Stainless steel material	Low temperature environment	High temperature environment	Acidic environment
1	Body	ASTM A216 WCB	ASTM A351 CF8M	ASTM A352 LCC	ASTM A217 WC9	ASTM A216 WCB
2	Race	ASTM A105N +STL.6	ASTM A182 F316 +STL.6	ASTM A350 LF2 +STL.6	ASTM A182 F22 +STL.6	ASTM A105N+STL.6
3	Clack	ASTM A216 WCB+Cr13	ASTM A351 CF8M	ASTM A352 LCC +STL.6	ASTM A217 WC9 +STL.6	ASTM A216 WCB +Cr13(NACE)
4	Rocker	ASTM A216 WCB	ASTM A351 CF8M	ASTM A352 LCC	ASTM A217 WC9	ASTM A216 WCB
5	Pin	ASTM A276 410	ASTM A276 316	ASTM A276 316	ASTM A276 410	ASTM A276 410(NACE)
6	Disc nut	ASTM A276 410	ASTM A276 316	ASTM A276 316	ASTM A276 410	ASTM A276 410(NACE)
7	Pin shaft	ASTM A182 F6a	ASTM A276 316	ASTM A182 F316	ASTM A276 420	Stainless steel
8	Plug screw	ASTM A105N	ASTM A182 F316	ASTM A350 LF2	ASTM A182 F22	ASTM A105N
9	Gasket	Graphite wrap pad/ RTJ ring	Graphite wrap pad/ RTJ ring	Graphite wrap pad/ RTJ ring	Graphite wrap pad/ RTJ ring	Graphite wrap pad/ RTJ ring
10	Cover stud	ASTM A193 B7	ASTM A193 B8	ASTM A320 L7	ASTM A193 B16	ASTM A193 B7M
11	Bonnet nut	ASTM A194 2H	ASTM A194 8	ASTM A194 7	ASTM A194 4	ASTM A194 2HM
12	Bonnet	ASTM A216 WCB	ASTM A351 CF8M	ASTM A352 LCC	ASTM A219 WC9	ASTM A216 WCB



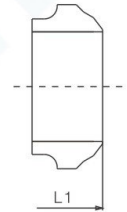
**ANSI CAST STEEL SWING CHECK VALVE**



External pin design



Interior pin design



Butt welding end

**Main Dimensions**

**Class150LB**

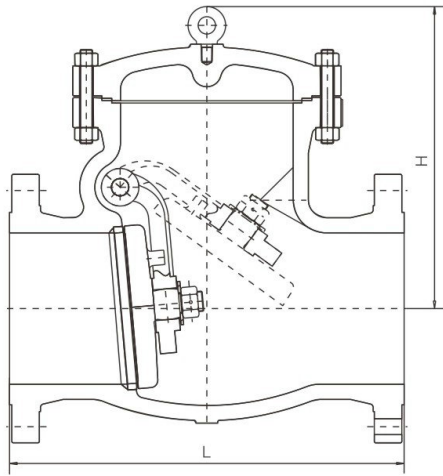
Size	in	2"	2-1/2"	3"	4"	5"	6"	8"	10"	12"	14"	16"	18"	20"	24"	26"	28"	30"	32"	36"	40"	42"	48"
DN	mm	50	65	80	100	125	150	200	250	300	350	400	450	500	600	650	700	750	800	900	1000	1050	1200
L-L1 (RF-BW)	in	8	8.5	9.5	11.5	13	14	19.5	24.5	27.5	31	34	38.5	38.5	51	51	57	60	60	77	85	89	101
	mm	203.2	215.9	241.3	292.1	330.2	355.6	495.3	622.3	698.5	787.4	863.6	977.9	977.9	1295	1295	1448	1524	1524	1956	2159	2261	2566
H	in	6.0	6.7	7.1	8.4	10.6	12.2	14.4	17.0	19.8	22.1	23.3	27.6	28.6	32.6	35.3	36.8	38.2	49.2	54.2	55.5	57.8	64.6
	mm	153	169	181	213	268	309	367	432	502	561	592	702	727.9	826.8	897	935	970	1058	1377	1410	1468	1642
WT(RF)	kg	15	22	28	42	57	79	131	177	282	380	542	632	855	970	1276	1600	2020	2430	3130	4260	5030	6680
WT(BW)	kg	10	12	17	29	45	57	96	143	227	294	468	552	755	831	1120	1420	1760	2130	2930	3730	4430	5680

**Main Dimensions**

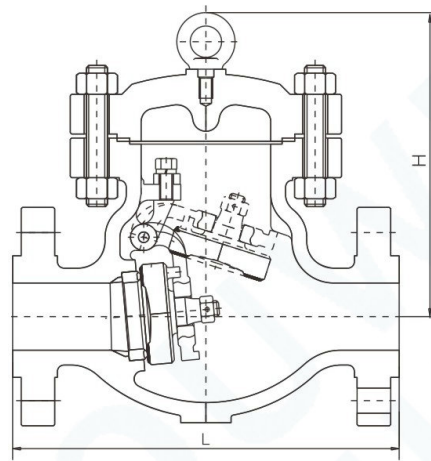
**Class300LB**

Size	in	2"	2-1/2"	3"	4"	5"	6"	8"	10"	12"	14"	16"	18"	20"	24"	26"	28"	30"	32"	36"	40"	42"	48"
DN	mm	50	65	80	100	125	150	200	250	300	350	400	450	500	600	650	700	750	800	900	1000	1050	1200
L-L1 (RF-BW)	in	10.5	11.5	12.5	14	15.75	17.5	21	24.5	28	33	34	38.5	40	53	53	59	62.75	68	82	96	103	124
	mm	266.7	292.1	317.5	355.6	400.1	444.5	533.4	622.3	711.2	838.2	863.6	977.9	1016	1346.2	1346	1499	1594	1727	2083	2438	2617	3151
H	in	7.0	7.2	9.1	10.5	11.2	12.7	15.5	17.9	21.3	24.0	25.7	28.2	31.3	35.2	36.6	45.8	50	50	59.4	68.9	73.6	87.8
	mm	177	182	231	266	285	323	393	454	541	608.5	653	716	796.3	896	930	1163	1270	1270	1510	1750	1870	2230
WT(RF)	kg	20	30	40	65	84	118	193	310	450	595	840	933	1320	1848	2375	2660	3680	3680	5030	6290	7050	9310
WT(BW)	kg	16	22	30	53	73	101	157	232	414	455	766	774	960	1792	1995	2260	2780	2780	4430	5640	6150	8310

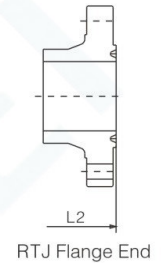
## ANSI CAST STEEL SWING CHECK VALVE



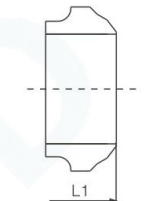
External pin design



Interior pin design



RTJ Flange End



Butt welding end

### Main Dimensions

### Class600LB

Size	in	2"	2-1/2"	3"	4"	5"	6"	8"	10"	12"	14"	16"	18"	20"	24"	26"	28"	30"	32"	36"	40"	42"	48"
DN	mm	50	65	80	100	125	150	200	250	300	350	400	450	500	600	650	700	750	800	900	1000	1050	1200
L-L1 (RF-BW)	in	11.5	13	14	17	20	22	26	31	33	35	39	43	47	55	57	63	65	70	82	90	96	100
	mm	292.1	330.2	355.6	431.8	508	558.8	660.4	787.4	838.2	889	990.6	1092.2	1193.8	1397	1448	1600	1651	1778	2083	2286	2438	2540
L2(RTJ)	in	11.6	13.1	14.1	17.1	20.1	22.1	26.1	31.1	33.1	35.1	39.1	43.1	47.3	55.4	57.5	63.5	65.5	70.6	82.6	/	/	/
	mm	295.3	333	358.7	435.2	511	562	663.4	790.5	841.2	892	993.6	1095.2	1200.2	1406.7	1461	1613	1664	1794	2099	/	/	/
H	in	9.2	9.8	10.8	12.2	15.3	15.6	18.4	21.8	23.2	26	28.3	31.9	32.7	38.2	43.7	46.9	52.1	53.8	60.7	67.0	70.9	85.5
	mm	233	249	274	311	389	397	467	554	589	660	719	811	831	971	1110	1192	1324	1367	1542	1702	1800	2171
WT(RF)	kg	30	43	55	93	160	208	339	547	715	885	1310	1620	2120	3100	3800	4600	5500	6800	8100	8900	9900	11100
WT(BW)	kg	21	35	43	64	115	145	256	375	589	694	932	1279	1702	2497	3100	3900	4700	6000	7200	8100	9800	10200

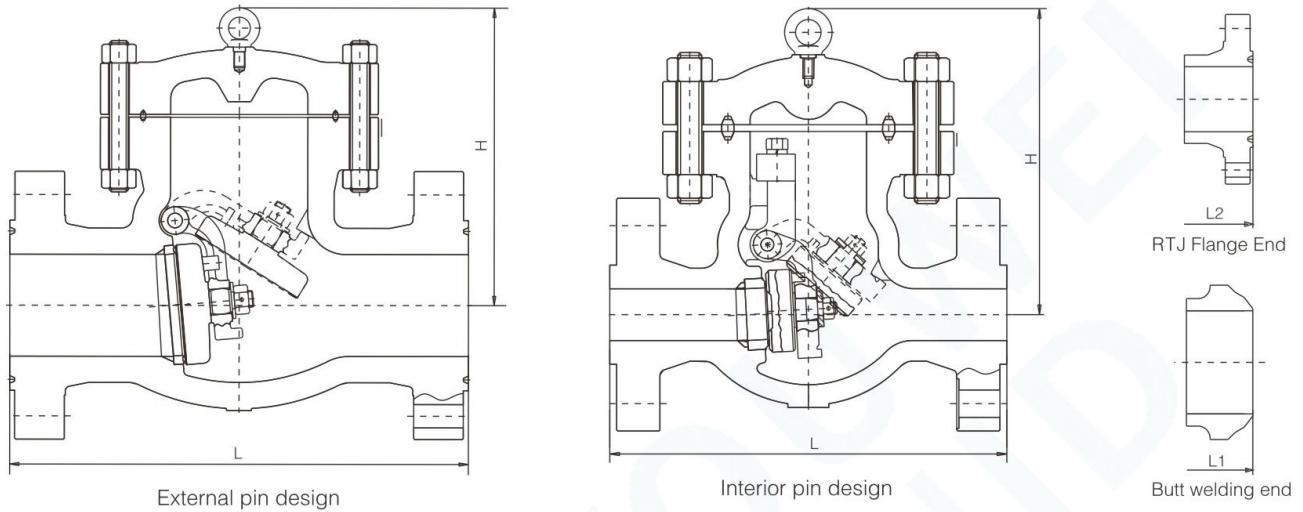
### Main Dimensions

### Class900LB

Size	in	2"	2-1/2"	3"	4"	6"	8"	10"	12"	14"	16"	18"	20"	24"	26"	28"	30"	32"	36"
DN	mm	50	65	80	100	150	200	250	300	350	400	450	500	600	650	700	750	800	900
L-L1 (RF-BW)	in	14.5	16.5	15	18	24	29	33	38	40.5	44.5	48.0	52.0	61.0	65.0	69.0	73.0	77.0	84.9
	mm	368.3	419	381	457.2	610	736.6	838.2	965.2	1029	1130	1219	1321	1549	1651	1753	1854	1956	2156
L2(RTJ)	in	14.6	16.6	15.1	18.1	24.1	29.1	33.1	38.1	40.88	44.88	48.5	52.5	61.7	65.9	69.9	73.9	/	/
	mm	371.6	422	384.2	460.5	612.9	740	841.2	968.2	1038	1140	1232	1333	1568	1673	1775	1876	/	/
H	in	11.2	11.8	11.9	12	16.7	20	22.9	25.6	27	33.0	33.0	36.4	36.7	44.1	54	59.9	65.8	71.7
	mm	284	300	301	305	423	507	582	650	686	838	839	924	932	1121	1372	1521	1671	1821
WT(RF)	kg	70	100	110	150	305	510	810	1120	1380	1900	3000	4000	5200	6600	7550	8850	10150	12750
WT(BW)	kg	50	68	77	113	230	387	632	901	1139	1613	2650	3550	4650	5630	6420	7510	8600	10780



**ANSI CAST STEEL SWING CHECK VALVE**



**Main Dimensions**

**Class1500LB**

Size	in	2"	2-1/2"	3"	4"	6"	8"	10"	12"	14"	16"	18"	20"	24"	26"	28"	30"
DN	mm	50	65	80	100	150	200	250	300	350	400	450	500	600	650	700	750
L-L1 (RF-BW)	in	14.5	16.5	18.5	21.5	27.8	32.75	39	44.5	49.5	54.5	60.5	65.5	76.5	82.0	87.5	93.0
	mm	368.3	419	469.9	546.1	704.9	832	990.6	1130.3	1257	1384	1537	1664	1943	2083	2222.5	2362
L2(RTJ)	in	14.6	16.62	18.6	21.6	28	33.1	39.38	45.12	50.25	55.38	61.4	66.4	77.6	/	/	/
	mm	371.6	422	473.2	549.4	711.2	841.5	1000	1146	1276	1407	1559	1686	1972	/	/	/
H	in	11.2	11.8	13.1	14.7	19.8	23.9	25.6	30.7	37.4	40.1	45.2	47.5	60.6	70.6	80.7	90.7
	mm	284	300	332	373	502	608	649	779	950	1020	1147	1206	1539	1794	2049	2304
WT(RF)	kg	70	100	150	245	550	1010	1476	2280	3060	4500	6100	8000	9800	11600	13400	15200
WT(BW)	kg	50	77	115	190	452	750	1012	1780	2290	3500	5200	7500	8400	9300	10200	11100

**Main Dimensions**

**Class2500LB**

Size	in	2"	2-1/2"	3"	4"	6"	8"	10"	12"	14"	16"	18"	20"	24"
DN	mm	50	65	80	100	150	200	250	300	350	400	450	500	600
L-L1 (RF-BW)	in	17.75	20	22.75	26.5	36	40.25	50	56	62.0	68.0	73.9	79.9	91.9
	mm	451	508	578	673	914	1022	1270	1422	1575	1727	1877	2029	2334
L2(RTJ)	in	17.87	20.25	23.00	26.88	36.50	40.87	50.88	56.88	/	/	/	/	/
	mm	454	514	584	683	927	1038	1292	1445	/	/	/	/	/
H	in	16.4	16.5	17.4	18.9	20.1	28	33.5	39.4	47.2	51.2	55.1	59.1	63
	mm	416	419	441	479	511	711	851	1000	1200	1300	1400	1500	1600
WT(RF)	kg	145	240	330	650	806	2420	3750	5500	7400	9010	11200	12700	14000
WT(BW)	kg	110	190	260	535	665	1980	2980	4350	6200	8250	9400	11890	13000