



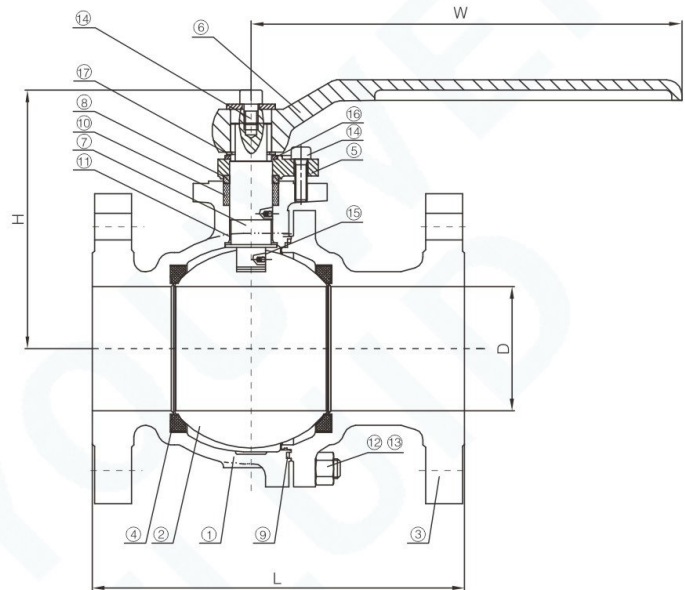
■ FLOATING BALL VALVE

Technical Parameter

Nominal Size: 1/2"~40"(DN15~DN1000)
 Nominal Pressure: ASME150LB to 600LB
 Applicable Temperature: -46°C~560°C
 Body Material: WCB, CF8, CF8M, CF3, CF3M, LCB, F304, F316, F304L, F316L, LF2, Etc.
 Design Standard: API 608
 Pressure-Temperature Rating: ANSI B16.34
 Face To Face: ANSI B16.10
 Flange End: ANSI B16.50 / ANSI B16.47
 Butt Welding End: ANSI B16.25
 Inspection and Test: API 598
 Mark: MSS SP-25

Design Features

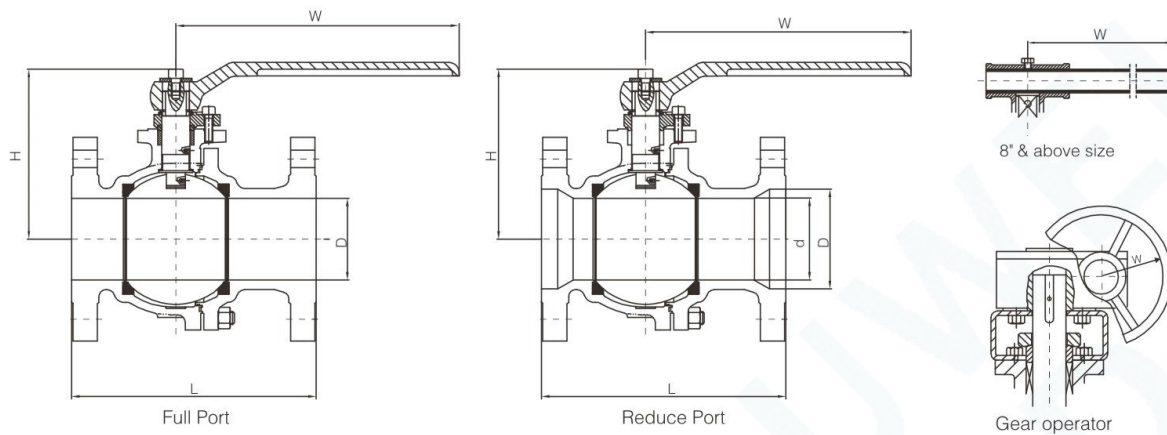
- Secure line flow locking device
- Blow-out proof stem
- Fire safe design
- Anti-static design
- Low emission design
- Over pressure self relieving seat design
- ISO 5211 mount pad
- Flanges(RF/RTJ) according to ASME B16.5



NO.	Part	Standard	Stainless Steel	Low Temperature	Sour Service
1	Body	ASTM A216-WCB	ASTM A351-CF8M	ASTM A352-LCB	ASTM A216-WCB
2	Ball	ASTM A105+ENP	ASTM A182-F316	ASTM A182-F316	ASTM A182-F316
3	Bonnet	ASTM A216-WCB	ASTM A351-CF8M	ASTM A352-LCB	ASTM A216-WCB
4	Seat Ring	PTFE	PTFE	PTFE	PTFE
5	Gland Flange	ASTM A216-WCB	ASTM A351-CF8	ASTM A352-LCB	ASTM A216-WCB
6	Lever	Carbon Steel	Carbon Steel	Carbon Steel	Carbon Steel
7	Stem	ASTM A182-F6a	ASTM A182-F316	ASTM A182-F316	ASTM A182-F316
8	Gland	ASTM A276-420	ASTM A182-F316	ASTM A182-F316	ASTM A182-F316
9	Gasket	SPW.304SS+Graphite	SPW.316SS+Graphite	SPW.316SS+Graphite	SPW.304SS+Graphite
10	Packing Set	Graphite	Graphite	Graphite	Graphite
11	Bearing	PTFE	PTFE	PTFE	PTFE
12	Stud	ASTM A193-B7	ASTM A193-B8	ASTM A320-L7M	ASTM A193-B7M
13	Nut	ASTM A194-2H	ASTM A193-8	ASTM A194-7M	ASTM A194-2HM
14	Bolt	ASTM A193-B7	ASTM A193-B8	ASTM A320-L7M	ASTM A193-B7M
15	Anti-Static Device	Stainless Steel	Stainless Steel	Stainless Steel	Stainless Steel
16	Stop Plate	Carbon Steel	Stainless Steel	Carbon Steel	Carbon Steel
17	Retainer	Carbon Steel	Stainless Steel	Stainless Steel	Stainless Steel

Note: Other materials are available upon request.

FLOATING BALL VALVE



Dimension and Weight(CLASS 150LB)

Full Port

Size		d		D		L		H		W		Weight	
in	mm	in	mm	in	mm	in	mm	in	mm	in	mm	lb	kg
1/2"	15	/	/	0.50	13	4.25	108	3.27	80	5.91	150	5.60	2.5
3/4"	20	/	/	0.75	19	4.61	117	3.67	90	5.91	150	6.70	3
1"	25	/	/	1.00	25	5.00	127	4.29	105	7.09	180	10.00	4.5
1-1/2"	40	/	/	1.50	38	6.50	165	5.71	140	11.02	280	15.60	7
2"	50	/	/	2.00	51	7.01	178	6.12	150	11.02	280	21.10	9.5
2-1/2"	65	/	/	2.50	64	7.48	190	6.20	152	15.75	400	33.30	15
3"	80	/	/	3.00	76	7.99	203	7.55	185	15.75	400	42.20	19
4"	100	/	/	4.00	102	9.02	229	10.82	265	25.59	650	66.70	30
5"	125	/	/	5.00	127	14.02	356	11.22	275	41.34	1050	123.90	58
6"	150	/	/	6.00	152	15.50	394	14.49	355	15.75	*400	166.70	90
8"	200	/	/	7.99	203	17.99	457	18.61	456	19.69	*500	288.70	160
10"	250	/	/	10.00	254	20.98	533	20.82	510	23.62	*600	533.30	280

Reduced Port

Size		d		D		L		H		W		Weight	
in	mm	in	mm	in	mm	in	mm	in	mm	in	mm	lb	kg
2*1-1/2"	50*40	1.5	38	2.00	51	7.01	178	6.12	150	11.20	280	18.90	8.5
3*2"	80*50	2	51	3.00	76	7.99	203	7.55	185	11.20	280	37.80	17
4*3"	100*80	3	76	4.00	102	9.02	229	10.82	265	15.75	400	57.80	26
6*4"	150*100	4	102	6.00	152	15.51	394	14.49	355	25.59	650	144.40	65
8*6"	200*150	6	152	8.00	203	17.99	457	18.61	456	41.34	1050	257.70	116
10*8"	250*200	8	203	10.00	254	20.98	533	20.82	510	15.75	400	484.40	218

Dimension and Weight(CLASS 300LB)

Full Port

Size		d		D		L		H		W		Weight	
in	mm	in	mm	in	mm	in	mm	in	mm	in	mm	lb	kg
1/2"	15	/	/	0.50	13	5.51	140	3.11	79	5.91	150	7.78	3.5
3/4"	20	/	/	0.75	19	5.98	152	3.78	96	7.35	180	8.89	4
1"	25	/	/	1.00	25	6.50	165	3.78	96	9.39	230	12.22	5.5
1-1/2"	40	/	/	1.50	38	7.48	190	4.72	120	12.24	300	14.95	11
2"	50	/	/	2.00	51	8.50	216	5.79	147	12.24	300	28.89	13
2-1/2"	65	/	/	2.50	64	9.49	241	6.22	158	15.75	400	46.67	21
3"	80	/	/	3.00	76	11.14	283	6.69	170	15.75	400	66.67	30
4"	100	/	/	4.00	102	12.01	305	8.27	210	25.59	650	100.00	45
5"	125	/	/	5.00	127	15.00	381	9.92	252	41.34	1050	144.43	75
6"	150	/	/	6.00	152	15.87	403	9.92	272	41.34	1050	211.09	105
8"	200	/	/	8.00	203	19.76	502	13.46	342	19.69	*500	333.33	200
10"	250	/	/	10.00	254	22.36	568	17.32	440	19.69	*500	716.49	325

Reduced Port

Size		d		D		L		H		W		Weight	
in	mm	in	mm	in	mm	in	mm	in	mm	in	mm	lb	kg
2*1-1/2"	50*40	1.5	38	2.00	51	8.50	216	4.72	120	11.20	280	26.66	12
3*2"	80*50	2.5	64	3.00	76	11.14	283	5.79	147	15.75	400	53.33	24
4*3"	100*80	3	76	4.00	102	12.01	305	6.69	170	25.59	650	91.10	41
6*4"	150*100	4	102	6.00	152	15.87	403	8.27	210	41.34	1050	188.87	85
8*6"	200*150	6	152	8.00	203	19.76	502	10.71	272	15.75	*400	302.19	136
10*8"	250*200	8	203	10.00	254	22.36	568	13.46	342	19.69	*500	551.06	290

* Gear operator