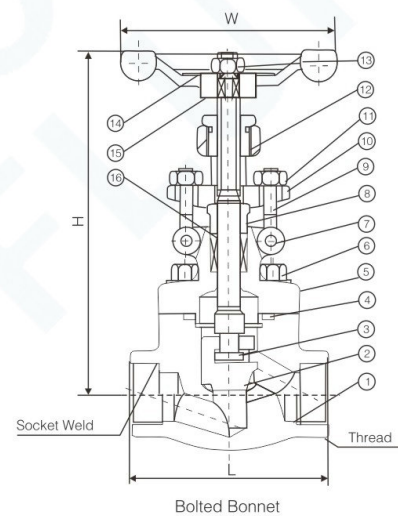
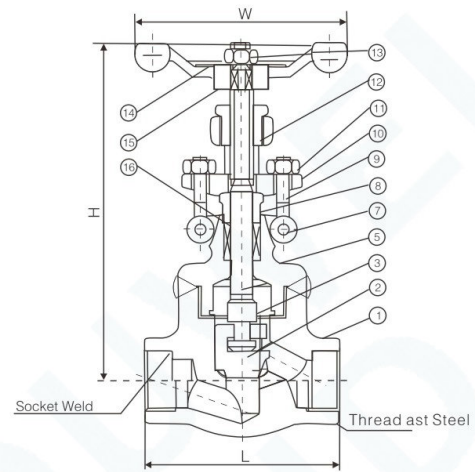


## FORGED STEEL GLOBE VALVE



### Design Features

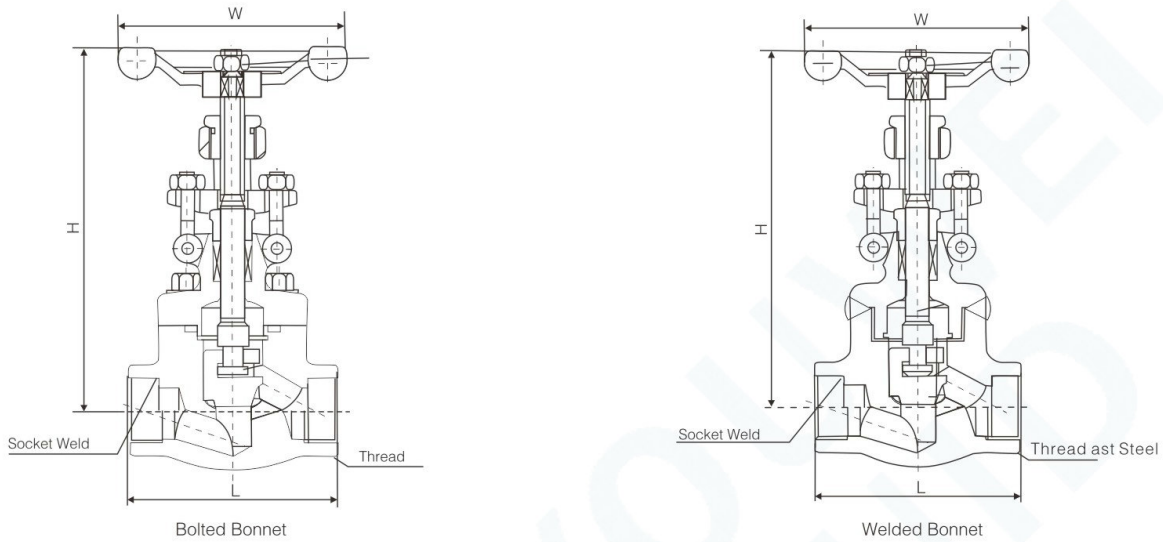
- Full port or Reduced port
- OS&Y, Outside screw and yoke
- The gland and gland flange self aligning design
- Bolted bonnet/Welded Bonnet/Pressure seal bonnet
- Socket welded (SW) ends to ASME B16.11
- Screwed ends (NPT) to ASME B1.20.1.
- Flanges (RF/RTJ) according to ASME B16.5.
- Integral flange or welded flange
- BW ends to ASME B16.25
- Cryogenic forged steel gate valve (optional)
- Low emission design, conform to ISO15848-1 Class B (optional)

### Material List

No.	Part Name	Cast Steel	Alloy Steel	Stainless steel	
1	Body	A105N+STL.6	A182 F22+STL.6	A182 F304(L)+STL.6	A182 F316(L)+STL.6
2	Disc	A182 F6a	A182 F304	A182 F304(L)	A182 F316(L)
3	Stem	A182 F6a	A182 F304	A182 F304(L)	A182 F316(L)
4	Gasket	SPW.SS304+GT	SPW.SS304+GT	SPW.SS304+GT	SPW.SS304+GT
5	Bonnet	A105N	A182 F304	A182 F304(L)	A182 F316(L)
6	Bonnet Bolt	A193 B7	A193 B16	A193 B8	A193 B8M
7	Pin	A276 410	A276 304	A276 304	A276 316
8	Gland	A276 410	A276 304	A276 304	A276 316
9	Gland Eyebolt	A193 B7	A193 B16	A193 B8	A193 B8M
10	Gland Flange	A105N	A182 F22	A182 F304(L)	A182 F316(L)
11	Gland Nut	A194 2H	A194 4	A194 8	A194 8M
12	Yoke Nut	A276 410	A276 410	A276 410	A276 410
13	H.W.Lock Nut	A194 2H	A194 4	A194 8	A194 8M
14	Nameplate	SS304	SS304	SS304	SS304
15	Handwheel	Ductile Iron	Ductile Iron	Ductile Iron	Ductile Iron
16	Stem packing	Flexible Graphite	Flexible Graphite	Flexible Graphite	Flexible Graphite



**FORGED STEEL GLOBE VALVE**

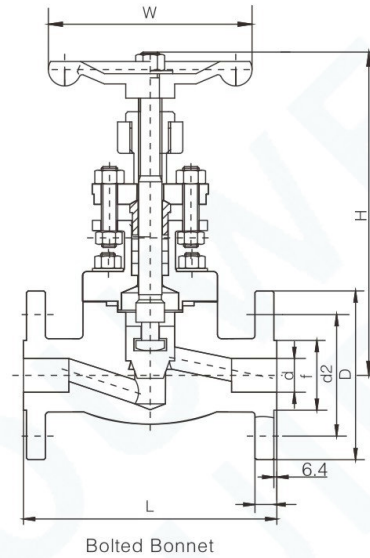
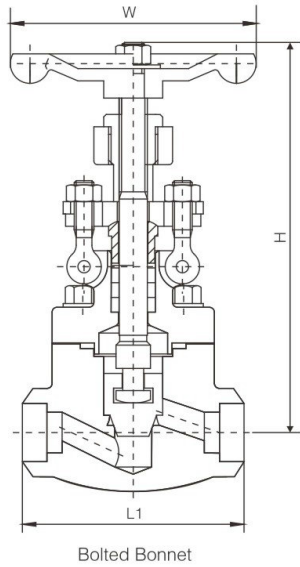


**Dimension and Weight**

**Class800-1500LB**

NPS	Conv.		3/8"	1/2"	3/4"	1"	1 1/4"	1 1/2"	2"	/	
	Full		/	3/8"	1/2"	3/4"	1"	1 1/4"	1 1/2"	2"	
800LB	L		mm	76	76	92	106	120	148	172	220
	H(CLOSE)		mm	165	165	170	185	220	220	280	320
	W		mm	100	100	100	125	160	160	180	200
	Weight	Bolted	kg	1.9	1.9	2.1	3.5	6.0	7.5	11.4	14.6
		Welded	kg	1.7	1.7	2.1	3.5	6.0	7.5	11.4	14.6
900LB	L		mm	111	111	111	120	152	172	220	/
	H(CLOSE)		mm	185	185	185	220	220	270	280	/
	W		mm	125	125	125	160	160	180	200	/
	Weight	Bolted	kg	2.2	3.7	3.6	6.8	7.6	11.6	15.0	/
		Welded	kg	2.0	3.4	3.3	6.0	5.6	10.3	14.2	/
1500LB	L		mm	111	111	111	120	152	172	220	/
	H(OPEN)		mm	171	207	207	240	258	330	355	/
	W		mm	125	125	125	160	160	180	200	/
	Weight	Bolted	kg	2.2	3.7	3.6	6.8	7.6	11.6	15.0	/
		Welded	kg	2.0	3.4	3.3	6.0	5.6	10.3	14.2	/

## FORGED STEEL GLOBE VALVE



### Dimension and Weight

### Class150-1500LB

		NPS	1/2	3/4	1	1 1/4	1 1/2	2
150LB	L(RF)	mm	108	117	127	140	165	203
	L1(BW)	mm	108	117	127	140	165	203
	H(OPEN)	mm	166	171	207	240	258	330
	W	mm	100	100	125	160	160	180
	Weight	RF	kg	4.5	6.9	9.8	13.5	19.5
BW		kg	2.3	3.6	7.8	8.2	12.0	15.0
300LB	L(RF)	mm	152	178	203	216	229	267
	L1(BW)	mm	152	178	203	216	229	267
	H(OPEN)	mm	166	171	207	240	258	330
	W	mm	100	100	125	160	160	180
	Weight	RF	kg	4.8	7.7	11.0	16.8	21.2
BW		kg	2.8	4.0	8.5	9.2	12.6	16.8
600LB	L(RF)	mm	165	190	216	229	241	292
	L1(BW)	mm	165	190	216	229	241	292
	H(OPEN)	mm	171	207	240	258	330	380
	W	mm	100	100	125	160	160	180
	Weight	RF	kg	5.6	7.8	12.5	17.0	23.5
BW		kg	3.4	4.7	9.2	10.5	13.3	18.9

		NPS	1/2	3/4	1	1 1/2	1 1/4	2
900LB	L(RTJ)	mm	216	229	254	279	305	371
	L1(BW)	mm	216	229	254	279	305	368
	H(OPEN)	mm	207	207	240	258	330	355
	W	mm	125	125	160	160	180	200
	Weight	RTJ	kg	8.0	13.2	17.4	19.0	24.5
BW		kg	5.2	10.0	14.6	15.8	20.5	27.8
1500LB	L(RTJ)	mm	216	229	254	279	305	371
	L1(BW)	mm	216	229	254	279	305	368
	H(OPEN)	mm	207	207	240	258	330	355
	W	mm	125	125	160	160	180	200
	Weight	RTJ	kg	8.0	13.2	17.4	19.0	24.5
BW		kg	5.2	10.0	14.6	15.8	20.5	27.8