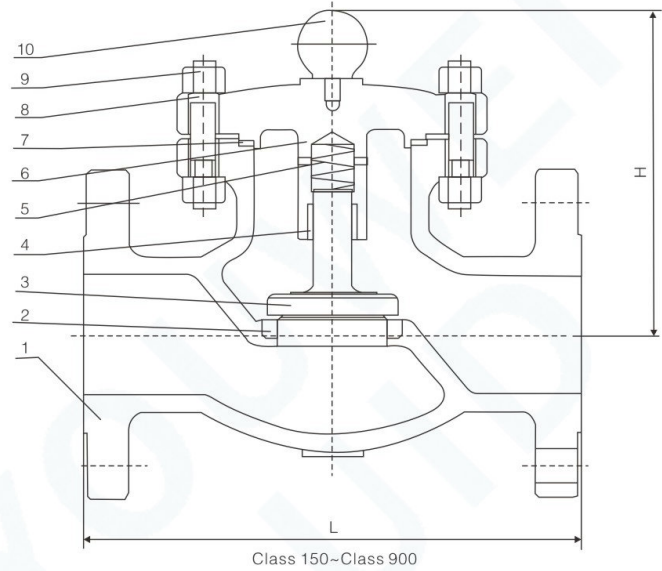


## CAST STEEL LIFT CHECK VALVE

### Technical Parameter

Nominal Size: 2"~12"(DN50~DN300)  
 Pressure rating: Class150LB~2500LB  
 Body Material: WCB, CF8, CF8M, CF3, CF3M, LCB,2205 Etc.  
 Design: BS1868,ASME B16.34  
 Face to Face: ASME B16.10  
 End Flange: ASME B16.5,ASME B16.47  
 BW Ends: ASME B16.25  
 Inspection and Testing: API 598  
 Special: NACE MR-01-75



### Material List

No.	Part name	ASTM Material		
1	Body	A216-WCB	A217-WC6	A352-LCB
2	Seat ring	A216 -WCB/Cr13	A217-WC6+HF	A352-LCB+Cr13
3	Disc	A216-WCB+Cr13	A217-WC6+HF	A352-LCB+Cr13
4	Hinge	304	304	304
5	Spring	304	304	304
6	Bonnet	A216-WCB	A217-WC6	A352-LCB
7	Gasket	Spiral wound (Graphite+304)		
8	Bonnet gasket	A193-B7	A193-B16	A320-L7
9	Bonnet stud	A194 2H	A194-4	A194-7
10	Eyebolt	Carbon steel		

Note:1. Spiral wound construction, teflon optional.  
 2.NPS 6" & Larger.  
 3.Disc and seat ( Integral with body ) may either be solid facing material or a base material equal to or better than the body/bonnet material with facing as shown.



## CAST STEEL LIFT CHECK VALVE

### Main Dimensions

### Class150LB

Size	NPS	2	2-1/2	3	4	5	6	8	10	12
		DN	50	65	80	100	125	150	200	250
L	RF	203	216	241	292	356	406	495	622	699
	BW	203	216	241	292	356	406	495	622	699
d	in	51	64	76	102	127	152	203	254	305
H	mm	140	162	168	194	210	226	250	275	332

### Main Dimensions

### Class300LB

Size	NPS	2	2-1/2	3	4	5	6	8	10	12
		DN	50	65	80	100	125	150	200	250
L	RF	267	292	318	356	400	445	559	622	711
	BW	267	292	318	356	400	445	559	622	711
d	in	51	64	76	102	127	152	203	254	305
H	mm	140	164	178	195	223	245	280	336	380

### Main Dimensions

### Class600LB

Size	NPS	2	2-1/2	3	4	5	6	8
		DN	50	65	80	100	125	150
L	RF	292	330	356	432	508	559	660
	BW	292	330	356	432	508	559	660
d	in	51	64	76	102	127	152	200
H	mm	152	167	178	215	240	279	328

### Main Dimensions

### Class900LB

Size	NPS	2	2-1/2	3	4	5	6	8
		DN	50	65	80	100	125	150
L	RF	368	419	381	457	559	610	737
	BW	368	419	381	457	559	610	737
d	in	47	57	73	98	121	146	190
H	mm	180	200	235	270	300	350	400