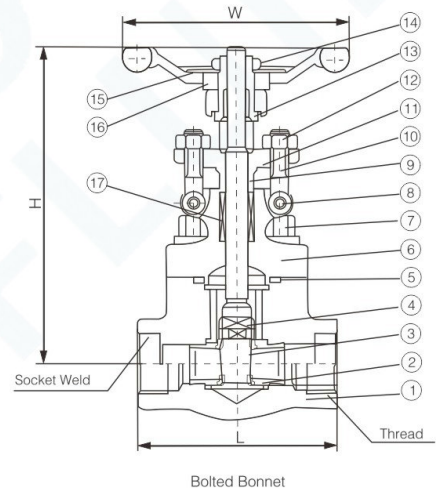
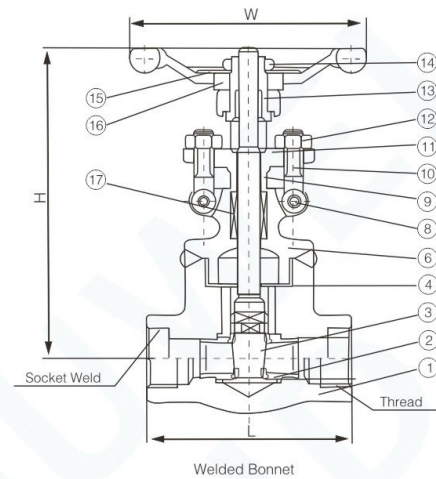




## FORGED STEEL GATE VALVE



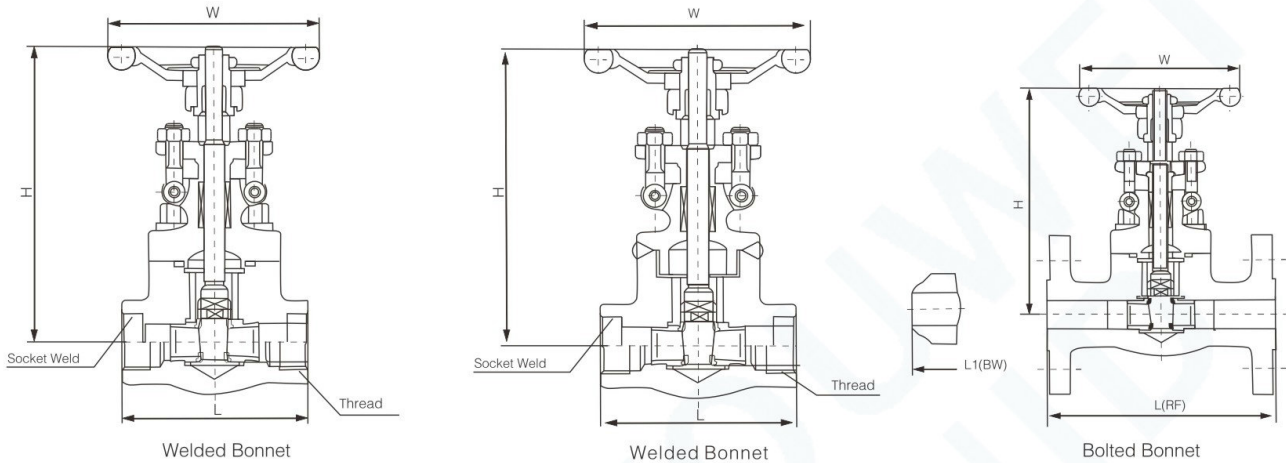
### Design Features

- Full port or Reduced port
- OS&Y, Outside screw and yoke
- The gland and gland flange self aligning design
- Bolted bonnet/Welded Bonnet/Pressure seal bonnet
- Integral backseat
- Socket welded (SW) ends to ASME B16.11
- Screwed ends (NPT) to ASME B1.20.
- Flanges (RF/RTJ) according to ASME B16.5
- Integral flange or welded flange
- BW ends to ASME B16.25
- Low emission certified (optional)
- Cryogenic forged steel gate valve (optional)

### Material List

No.	Part Name	Cast Steel	Alloy Steel	Stainless Steel	
1	Body	A105N	A182 F22	A182 F304(L)	A182 F316(L)
2	Seat	A182 F6a+STL.6	A182 F304	A182 F304(L)	A182 F316(L)
3	Wedge	A182 F6a	A182 F304	A182 F304(L)	A182 F316(L)
4	Stem	A182 F6a	A182 F304	A182 F304(L)	A182 F316(L)
5	Gasket	SPW.SS304+Graphite	SPW.SS304+Graphite	SPW.SS304+Graphite	SPW.SS316+Graphite
6	Bonnet	A105N	A182 F22	A182 F304(L)	A182 F316(L)
7	Bonnet Bolt	A193 B7	A193 B16	A193 B8	A193 B8M
8	Pin	A276 410	A276 304	A276 304	A276 316
9	Gland	A276 410	A276 304	A276 304	A276 316
10	Gland Eyebolt	A193 B7	A193 B16	A193 B8	A193 B8M
11	Gland Flange	A105N	A182 F22	A182 F304(L)	A182 F316(L)
12	Gland Nut	A194 2H	A194 4	A194 8	A194 8M
13	Yoke Nut	A276 410	A276 410	A276 410	A276 410
14	H.W.Lock Nut	A194 2H	A194 4	A194 8	A194 8M
15	Nameplate	SS304	SS304	SS304	SS304
16	Handwheel	Ductile Iron	Ductile Iron	Ductile Iron	Ductile Iron
17	Stem Packing	Flexible graphite	Flexible graphite	PTFE	PTFE

## FORGED STEEL GATE VALVE



### Dimension and Weight

### Class800-1500LB

NPS	Conv.		3/8"	1/2"	3/4"	1"	1 1/4"	1 1/2"	2"	2 1/2"	
	Full		/	3/8"	1/2"	3/4"	1"	1 1/4"	1 1/2"	2"	
800LB	L		mm	76	76	92	106	120	114	144	170
	H(OPEN)		mm	158	158	169	197	236	246	283	330
	W		mm	100	100	100	125	160	160	160	200
	Weight	Bolted	kg	2.0	2.1	2.3	4.3	5.9	6.9	11.1	15.2
		Welded	kg	1.7	1.8	2.0	3.8	5.1	6.1	10.2	14.2
900LB 1500LB	L		mm	111	111	111	120	120	140	170	210
	H(OPEN)		mm	169	197	197	236	246	283	330	354
	W		mm	125	125	125	160	160	180	200	210
	Weight	Bolted	kg	2.5	4.2	4.3	6.6	8.8	12.5	17.2	23.5
		Welded	kg	2.4	4.0	4.2	6.3	8.7	12.1	17.2	22.0

### Dimension and Weight

### Class150-1500LB

NPS			1/2	3/4	1	1-1/4	1-1/2	2
	150LB	L(RF)	mm	108	117	127	140	165
L1(BW)		mm	108	117	127	140	165	178
H(OPEN)		mm	158	169	197	236	246	283
W		mm	100	100	125	160	160	160
Weight		RF	kg	4.5	5.2	8.2	11.5	12.5
	BW	kg	2.8	3.3	5.4	7.1	8.2	12.5
300LB	L(RF)	mm	140	152	165	178	190	216
	L1(BW)	mm	140	152	165	178	190	216
	H(OPEN)	mm	158	169	197	236	246	283
	W	mm	100	100	125	160	160	160
	Weight	RF	kg	4.8	6.2	9.3	14	15.5
BW		kg	3.5	4.4	6.8	8.1	9.2	15.4
600LB	L(RF)	mm	165	190	216	229	241	292
	L1(BW)	mm	165	190	216	229	241	292
	H(OPEN)	mm	169	197	236	246	283	320
	W	mm	100	100	125	160	160	160
	Weight	RF	kg	5.9	7.4	10.4	16.2	17.5
BW		kg	4.5	5.1	8.2	10.5	12.4	20.1

NPS			1/2	3/4	1	1-1/4	1-1/2	2
	900LB	L(RTJ)	mm	216	229	254	279	305
L1(BW)		mm	216	229	254	279	305	368
H(OPEN)		mm	197	197	236	246	283	330
W		mm	125	125	160	160	180	200
Weight		RF	kg	7.2	11.5	15.6	16.2	22.6
	BW	kg	5.2	9.3	12.4	13.8	18.9	27.5
1500LB	L	mm	216	229	254	279	305	371
	L1(BW)	mm	216	229	254	279	305	368
	H(OPEN)	mm	197	197	236	246	283	330
	W	mm	125	125	160	160	180	200
	Weight	RF	kg	7.2	11.5	15.6	16.2	22.6
BW		kg	5.2	9.3	12.4	13.8	18.9	27.5