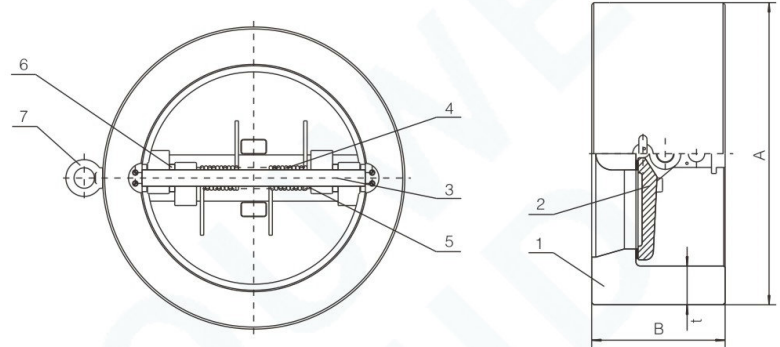




## ■ WAFER DOUBLE DISC CHECK VALVE

### Technical Parameter

Nominal Size: 2"~40"(DN50~DN1000)  
 Nominal Pressure: ASME 150 to 1500LB  
 Applicable Temperature: -196°C~800°C  
 Body Material: WCB, CF8, CF8M, CF3, CF3M, LCB, 2205 Etc.  
 Design Standard: API 6D, API 594, BS1868, ASME B16.34  
 Pressure-Temperature Rating: ANSI B16.34  
 Face To Face: ANSI B16.10  
 End Connection: Flanged Ends to ASME B16.5,  
 Butt-weld Ends to ASME B16.25  
 Inspection and Test: API 598  
 Mark: MSS SP-25



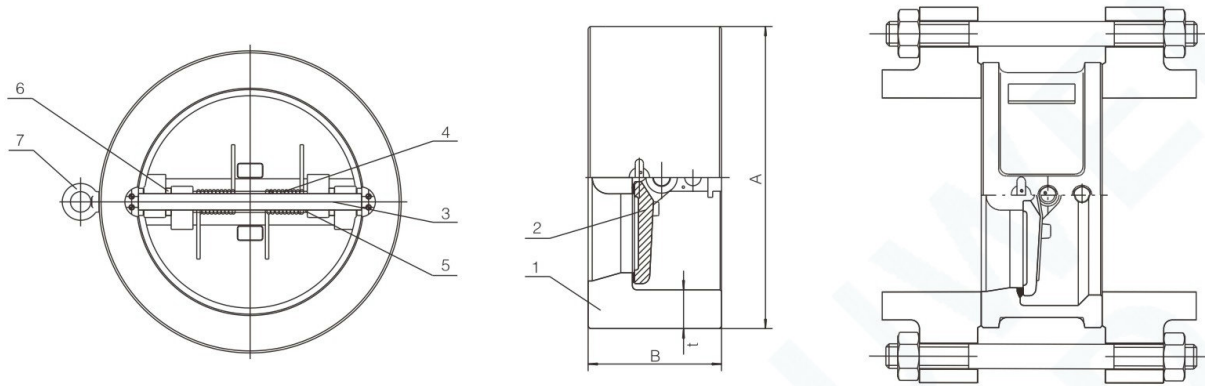
### Design Features

Small size and low installation space requirements;  
 Close quickly and move sensitively;  
 spring-loaded valve discs with guaranteed closure;  
 optional soft seal design;  
 Pin shaft with built-in structure, no external leakage points;

### Material List

No.	Parts name	Standard material	Low temperature environment	Stainless steel material	High temperature environment	Acidic environment
1	Body	ASTM A216-WCB +STL.6	ASTM A351-CF8M +STL.6	ASTM A352-LCC +STL.6	ASTM A217-WC9 +STL.6	ASTM A216-WCB +STL.6
2	Clack	ASTM A216-WCB +Cr13	ASTM A351-CF8M	ASTM A352-LCC +316	ASTM A217-WC9 +STL.6	ASTM A216-WCB +Cr13(NACE)
3	Pin	ASTM A276-410	ASTM A276-316	ASTM A276-316	ASTM A276-410	ASTM A276-410 (NACE)
4	Spring	Inconel X-750	Inconel X-750	Inconel X-750	Inconel X-750	Inconel X-750
5	Spring seat	ASTM A182-F6a	ASTM A182-F316	ASTM A182-F316	ASTM A182-F6a	ASTM A182-F6a (NACE)
6	Spacer ring	ASTM A182-F6a	ASTM A182-F316	ASTM A182-F316	ASTM A182-F6a	ASTM A182-F6a (NACE)
7	Lifting lug	Carbon steel	Carbon steel	Carbon steel	Carbon steel	Carbon steel

## WAFER DOUBLE DISC CHECK VALVE



### Main Dimensions

### Class 150LB

Size		A		B		t		Quantity	Stud details				Connec- ting end	Weight	
NPS	DN	in	mm	in	mm	in	mm		Dimension		RF stud length			lbs	kg
2"	50	4.09	104	2.38	60	0.34	8.60	4	0.63	16	5.75	146	RF	5.88	2.94
2-1/2"	65	4.84	123	2.63	67	0.38	9.70	4	0.63	16	6.25	159	RF	10.78	4.9
3"	80	5.35	136	2.88	73	0.41	10.40	4	0.63	16	6.75	171	RF	10.78	4.9
4"	100	6.85	174	2.88	73	0.44	11.20	8	0.63	16	6.75	171	RF	17.64	7.84
5"	125	7.72	196	3.38	86	-	-	8	0.75	19	7.50	191	RF	27.44	12.74
6"	150	8.70	221	3.88	98	0.47	11.90	8	0.75	19	8.00	203	RF	30.38	13.72
8"	200	10.94	278	5.00	127	0.50	12.70	8	0.75	19	9.50	241	RF	55.86	25.48
10"	250	13.35	339	5.75	146	0.56	14.20	12	0.88	22	10.50	267	RF	96.04	44.1
12"	300	16.06	408	7.13	181	0.63	16.00	12	0.88	22	12.25	311	RF	137.2	62.72
14"	350	17.68	449	7.25	184	0.66	16.80	12	1.00	25	12.75	324	RF	166.6	75.46
16"	400	20.12	511	7.50	191	0.69	17.50	16	1.13	29	13.25	337	RF	225.4	101.92
18"	450	21.63	549	8.00	203	0.72	18.30	16	1.13	29	14.25	362	RF	264.6	120.54
20"	500	23.88	606	8.63	219	0.75	19.10	20	1.25	32	15.25	387	RF	352.8	159.74
24"	600	28.25	718	8.75	222	0.81	20.60	20	1.25	32	16.00	406	RF	470.4	213.64
26"	650	30.50	775	14.00	356	-	-	24	1.25	32	23.25	591	RF	980	444.92
28"	700	32.75	832	15.00	381	-	-	28	1.25	32	24.50	622	RF	1176	533.12
30"	750	34.75	883	12.00	305	0.91	23.10	28	1.25	32	21.75	552	RF	980	444.92
32"	800	37.00	940	14.00	356	-	-	28	1.50	38	24.75	629	RF	1372	622.3
36"	900	41.25	1048	14.50	368	1.00	25.40	32	1.50	38	26.00	660	RF	1715	778.12

### Main Dimensions

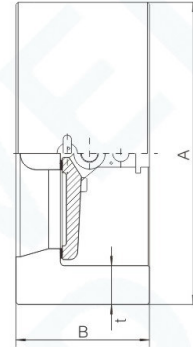
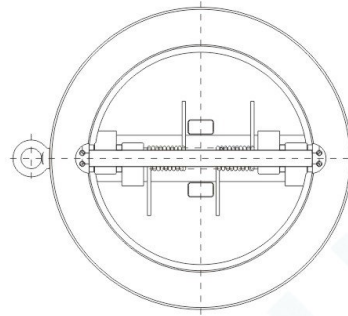
### Class 300LB

Size		A		B		t		Quantity	Stud details				Connec- ting end	Weight	
NPS	DN	in	mm	in	mm	in	mm		Dimension		RF stud length			lbs	kg
2"	50	4.37	111	2.38	60	0.38	9.70	8	0.63	16	6.00	152	RF	6.37	2.94
2-1/2"	65	5.08	129	2.63	67	0.44	11.20	8	0.75	19	6.75	171	RF	12.74	5.88
3"	80	5.87	149	2.88	73	0.47	11.90	8	0.75	19	7.25	184	RF	12.74	5.88
4"	100	7.09	180	2.88	73	0.50	12.70	8	0.75	19	7.50	191	RF	17.64	7.84
5"	125	8.46	215	3.38	86	-	-	8	0.75	19	8.25	210	RF	27.44	12.74
6"	150	9.84	250	3.88	98	0.63	16.00	12	0.75	19	9.00	229	RF	39.2	17.64
8"	200	12.13	308	5.00	127	0.69	17.50	12	0.88	22	10.75	273	RF	66.64	30.38
10"	250	14.17	360	5.75	146	0.75	19.10	16	1.00	25	12.25	311	RF	107.8	49
12"	300	16.57	421	7.13	181	0.81	20.60	16	1.13	29	14.25	362	RF	166.6	75.46
14"	350	19.06	484	8.75	222	0.88	22.40	20	1.13	29	16.00	406	RF	284.2	129.36
16"	400	21.18	538	9.13	232	0.94	23.90	20	1.25	32	17.00	432	RF	392	177.38
18"	450	23.50	597	10.38	264	1.00	25.40	24	1.25	32	18.50	470	RF	509.6	231.28
20"	500	25.75	654	11.50	292	1.06	26.90	24	1.25	32	20.00	508	RF	686	311.64
24"	600	30.50	775	12.50	318	1.19	30.20	24	1.50	38	22.00	559	RF	1029	466.48
26"	650	32.88	835	14.00	356	-	-	28	1.63	41	25.00	635	RF	1225	555.66
28"	700	35.38	899	15.00	381	-	-	28	1.63	41	26.50	673	RF	1470	666
30"	750	37.50	953	14.50	368	1.38	35.10	28	1.75	44	26.75	679	RF	1617	733
32"	800	39.63	1006	16.00	406	-	-	28	1.88	48	29.00	737	RF	1960	888
36"	900	44.00	1118	19.00	483	1.57	39.90	32	2.00	51	33.75	832	RF	2646	1200





**WAFER DOUBLE DISC CHECK VALVE**



**Main Dimensions**

**Class 600LB**

Size		A		B		t		Quantity	Stud details						Conne- cting end	Weight	
NPS	DN	in	mm	in	mm	in	mm		Dimension		RF stud length		RTJ stud length			lbs	kg
2"	50	4.38	111	2.38	60	0.44	11.2	8	0.63	16	6.5	165	7	178	RF/RTJ	6.37	2.94
3"	80	5.83	148	2.88	73	0.50	12.7	8	0.75	19	7.75	197	8.25	210	RF/RTJ	12.74	5.88
4"	100	7.63	194	3.13	79	0.63	16	8	0.88	22	8.75	222	9.25	235	RF/RTJ	23.52	10.78
6"	150	10.5	267	5.38	137	0.75	19.1	12	1	25	12	305	12.75	324	RF/RTJ	67.62	30.38
8"	200	12.63	321	6.5	165	1.00	25.4	12	1.13	29	14.25	3f12	14.75	375	RF/RTJ	113.68	51.94
10"	250	15.75	400	8.38	213	1.13	28.7	16	1.25	32	17	432	17.5	445	RF/RTJ	205.8	93.1
12"	300	18	457	9	229	1.25	31.8	20	1.25	32	17.75	451	18.25	464	RF/RTJ	294	133.28
14"	350	19.38	492	10.75	273	1.38	35.1	20	1.38	35	20.25	514	20.75	527	RF/RTJ	421.4	191.1
16"	400	22.25	565	12	305	1.50	38.1	20	1.5	38	22.25	565	22.75	578	RF/RTJ	637	289.1
18"	450	24.13	613	14.25	362	1.63	41.4	20	1.63	41	25.25	641	25.75	654	RF/RTJ	833	378.28
20"	500	26.88	683	14.5	368	1.75	44.5	24	1.63	41	26	660	26.75	679	RF/RTJ	1102.5	499.8
24"	600	31.13	791	17.25	438	2.00	50.8	24	1.63	41	29.75	756	30.75	781	RF/RTJ	1715	778.12

**Main Dimensions**

**Class 900LB**

Size		A		B		t		Quantity	Stud details						Conne- cting end	Weight	
NPS	DN	in	mm	in	mm	in	mm		Dimension		RF stud length		RTJ stud length			lbs	kg
2"	50	5.63	143	2.75	70	0.75	19.10	8	0.88	22	8.50	216	8.75	222	RF/RTJ	11.27	2.94
3"	80	6.63	168	3.25	83	0.75	19.10	8	0.88	22	8.50	216	9.00	229	RF/RTJ	20.58	9.8
4"	100	8.13	206	4.00	102	0.84	21.30	8	1.13	29	10.25	260	10.75	273	RF/RTJ	42.14	19.6
6"	150	11.38	289	6.25	159	1.03	26.20	12	1.13	29	13.25	337	13.75	349	RF/RTJ	122.5	55.86
8"	200	14.13	359	8.13	206	1.25	31.80	12	1.38	35	16.25	413	16.75	425	RF/RTJ	269.5	122.5
10"	250	17.13	435	9.50	241	1.44	36.60	16	1.38	35	18.50	470	18.75	476	RF/RTJ	392	177.38
12"	300	19.63	498	11.50	292	1.66	42.20	20	1.38	35	20.75	527	21.25	540	RF/RTJ	441	199.92
14"	350	20.50	521	14.00	356	1.81	46.00	20	1.50	38	23.75	603	14.50	622	RF/RTJ	686	311.64
16"	400	22.63	575	15.13	384	2.06	52.30	20	1.63	41	25.50	648	26.25	667	RF/RTJ	931	422.38
18"	450	25.13	638	17.75	451	2.25	57.20	20	1.88	48	29.25	743	30.00	762	RF/RTJ	1372	622.3
20"	500	27.50	699	17.75	451	2.50	63.50	20	2.00	51	30.00	762	31.00	787	RF/RTJ	1617	733.04
24"	600	33.00	838	19.50	495	2.88	73.20	20	2.50	64	33.75	857	35.00	889	RF/RTJ	2278.5	1033.9

**Main Dimensions**

**Class 1500LB**

Size		A		B		t		Quantity	Stud details						Conne- cting end	Weight	
NPS	DN	in	mm	in	mm	in	mm		Dimension		RF stud length		RTJ stud length			lbs	kg
2"	50	5.63	143	2.75	70	0.75	19.10	8	0.88	22	8.50	216	8.75	222	RF/RTJ	11.27	4.9
3"	80	6.88	175	3.25	83	0.94	23.90	8	1.13	29	10.25	260	10.50	267	RF/RTJ	22.54	9.8
4"	100	8.25	210	4.00	102	1.13	28.70	8	1.25	32	11.75	298	12.00	305	RF/RTJ	44.1	19.6
6"	150	11.13	283	6.25	159	1.50	38.10	12	1.38	35	16.50	419	17.00	432	RF/RTJ	122.5	55.86
8"	200	13.88	352	8.13	206	1.88	47.80	12	1.63	41	19.75	502	20.50	521	RF/RTJ	269.5	122.5
10"	250	17.13	435	9.75	248	2.25	57.20	12	1.88	48	23.25	591	23.75	603	RF/RTJ	421.4	191.1
12"	300	20.50	521	12.00	305	2.63	66.80	16	2.00	51	27.00	686	28.00	711	RF/RTJ	686	311.64
14"	350	22.75	578	14.00	356	2.75	69.90	16	2.25	57	30.25	768	31.50	800	RF/RTJ	906.5	411.6
16"	400	25.25	641	15.13	384	3.13	79.50	16	2.50	64	32.75	832	34.25	870	RF/RTJ	1274	578.2
18"	450	27.75	705	18.44	468	3.50	88.90	16	2.75	70	38.00	965	39.50	1003	RF/RTJ	1862	844.76
20"	500	29.75	756	21.00	533	3.88	98.60	16	3.00	76	42.25	1073	44.00	1118	RF/RTJ	2548	1155.42
24"	600	35.50	902	22.00	559	4.50	114.30	16	3.50	89	46.25	1175	48.50	1232	RF/RTJ	3650.5	1656.2