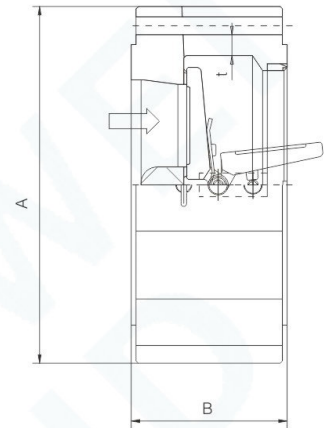
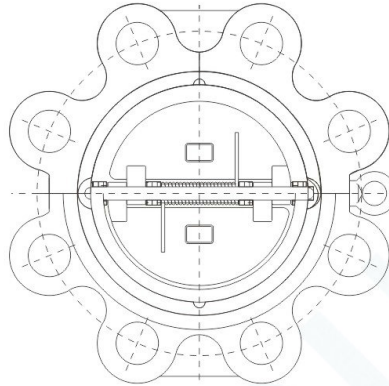


LUG DOUBLE DISC CHECK VALVE



Main Dimensions

Class 150LB

Size		A		B		t		Quantity	Stud details				Connec- ting end	Weight	
NPS	DN	in	mm	in	mm	in	mm		Dimension		RF stud length			lbs	kg
									in	mm	in	mm			
2"	50	6.00	152	2.38	60	0.34	8.60	4	0.63	16	2.75	70	RF	8.82	3.92
2 1/2"	65	7.00	178	2.63	67	0.38	9.70	4	0.63	16	2.75	70	RF	23.52	10.78
3"	80	7.50	191	2.88	73	0.41	10.40	4	0.63	16	3.00	76	RF	17.64	7.84
4"	100	9.00	229	2.88	73	0.44	11.20	8	0.63	16	3.00	76	RF	32.34	14.7
5"	125	10.00	254	3.38	86	-	-	8	0.75	19	3.25	83	RF	51.94	23.52
6"	150	11.00	279	3.88	98	0.47	11.90	8	0.75	19	3.25	83	RF	51.94	23.52
8"	200	13.50	343	5.00	127	0.50	12.70	8	0.75	19	3.50	89	RF	127.4	57.82
10"	250	16.00	406	5.75	146	0.56	14.20	12	0.88	22	3.75	95	RF	211.68	96.04
12"	300	19.00	483	7.13	181	0.63	16.00	12	0.88	22	3.75	95	RF	264.6	120.54
14"	350	21.00	533	7.25	184	0.66	16.80	12	0.10	25	4.25	108	RF	323.4	147
16"	400	23.50	597	7.50	191	0.69	17.50	16	0.10	29	4.25	108	RF	411.6	187.18
18"	450	25.00	635	8.00	203	0.72	18.30	16	1.13	29	4.75	121	RF	490	222.46
20"	500	27.50	699	8.63	219	0.75	19.10	20	1.13	32	5.00	127	RF	637	289.1
24"	600	32.00	813	8.75	222	0.81	20.60	20	1.25	32	5.50	140	RF	833	378.28
26"	650	34.25	870	14.00	356	-	-	24	1.25	32	6.50	165	RF	1568	711.48
28"	700	36.50	927	15.00	381	-	-	28	1.25	32	6.50	165	RF	1862	844.76
30"	750	38.75	984	12.00	305	0.91	23.10	28	1.25	32	6.75	171	RF	1666	756.56
32"	800	41.75	1060	14.00	356	-	-	28	1.50	38	7.50	191	RF	2352	1067
36"	900	46.00	3368	14.50	368	1.00	25.40	32	1.50	38	8.00	203	RF	2744	1244

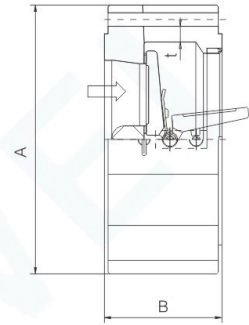
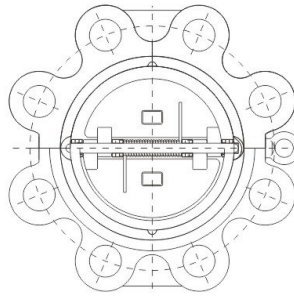
Main Dimensions

Class 300LB

Size		A		B		t		Quantity	Stud details				Connec- ting end	Weight	
NPS	DN	in	mm	in	mm	in	mm		Dimension		RF stud length			lbs	kg
									in	mm	in	mm			
2"	50	6.50	165	2.38	60	0.38	9.70	8	0.63	16	2.75	70	RF	17.64	7.84
2 1/2"	65	7.50	191	2.63	67	0.44	11.20	8	0.75	19	3.25	83	RF	25.48	11.76
3"	80	8.25	210	2.88	73	0.47	11.90	8	0.75	19	3.50	89	RF	32.34	14.7
4"	100	10.00	254	2.88	73	0.50	12.70	8	0.75	19	3.50	89	RF	53.9	24.5
5"	125	11.00	279	3.38	86	-	-	8	0.75	19	3.75	95	RF	68.6	31.36
6"	150	12.50	318	3.88	98	0.63	16.00	12	0.75	19	3.75	95	RF	97.02	44.1
8"	200	15.00	381	5.00	127	0.69	17.50	12	0.88	22	4.25	108	RF	140.14	63.7
10"	250	17.50	445	5.75	146	0.75	19.10	16	0.10	25	4.75	121	RF	228.34	103.88
12"	300	20.50	521	7.13	181	0.81	20.60	16	1.13	29	5.25	133	RF	343	155.82
14"	350	23.00	584	8.75	222	0.88	22.40	20	1.13	29	5.25	133	RF	539	245
16"	400	25.50	648	9.13	232	0.94	23.90	20	1.25	32	5.75	146	RF	735	333.2
18"	450	28.00	711	10.38	264	1.00	25.40	24	1.25	32	6.00	152	RF	931	422.38
20"	500	30.50	775	11.50	292	1.06	26.90	24	1.25	32	6.00	152	RF	1225	555.66
24"	600	36.00	914	12.50	318	1.19	30.20	24	1.50	38	7.00	178	RF	1813	822.22
26"	650	38.25	972	14.00	356	-	-	28	1.63	41	7.75	197	RF	2156	978.04
28"	700	40.75	1035	15.00	381	-	-	28	1.63	41	8.25	210	RF	2646	1200.5
30"	750	43.00	1092	14.50	368	1.38	35.10	28	1.75	44	8.75	222	RF	2744	1244.6
32"	800	45.25	1149	16.00	406	-	-	28	1.88	48	9.25	235	RF	3332	1511.16
36"	900	50.00	1270	19.00	483	1.57	39.90	32	2.00	51	9.75	248	RF	4508	2045.26



LUG DOUBLE DISC CHECK VALVE



Main Dimensions

Class 600LB

Size		A		B		t		Quantity	Stud details				Connect- ing end	Weight			
NPS	DN	in	mm	in	mm	in	mm		Dimension		RF stud length			RTJ stud length		lbs	kg
2"	50	6.50	165	2.38	60	0.44	11.20	8	0.63	16	3.25	83	3.75	95	RF/RTJ	17.64	7.84
3"	80	8.25	210	2.88	73	0.50	12.70	8	0.75	19	3.75	95	4.25	108	RF/RTJ	32.34	14.7
4"	100	10.75	273	3.13	79	0.63	16.00	8	0.88	22	4.25	108	4.75	121	RF/RTJ	78.4	38.22
6"	150	14.00	356	5.38	137	0.75	19.1	12	1.00	25	5.00	127	5.50	140	RF/RTJ	168.56	76.44
8"	200	16.50	419	6.50	165	1.00	25.40	12	1.13	29	5.75	146	6.00	152	RF/RTJ	305.76	139.16
10"	250	20.00	508	8.38	213	1.13	28.70	16	1.25	32	6.25	159	6.75	171	RF/RTJ	504.7	229.32
12"	300	22.00	559	9.00	229	1.25	31.80	20	1.25	32	6.50	165	6.75	171	RF/RTJ	539	245
14"	350	23.75	603	10.75	273	1.38	35.10	20	1.38	35	6.75	171	7.25	184	RF/RTJ	784	355.74
16"	400	27.00	686	12.00	305	1.50	38.10	20	1.50	38	7.50	191	7.75	197	RF/RTJ	1127	511.56
18"	450	29.25	743	14.25	362	1.63	41.40	20	1.63	41	8.00	203	8.50	216	RF/RTJ	1519	688.94
20"	500	32.00	813	14.50	368	1.75	44.50	24	1.63	41	8.25	210	9.00	229	RF/RTJ	1862	844.76
24"	600	37.00	940	17.25	438	2.00	50.80	24	1.63	41	8.75	222	9.50	241	RF/RTJ	2940	1274.98
26"	650	40.00	1016	18.00	457	-	-	28	1.88	48	9.50	241	10.50	267	RF/RTJ	3332	1511.16
28"	700	42.25	1073	19.00	483	-	-	28	2.00	51	10.00	254	11.00	179	RF/RTJ	3920	1777.72
30"	750	44.50	1130	19.88	505	2.38	60.50	28	2.00	51	10.25	260	11.25	286	RF/RTJ	4606	2089.36
32"	800	47.00	1194	21.00	533	-	-	28	2.25	57	11.00	279	12.00	305	RF/RTJ	5292	2400.02
36"	900	51.75	1314	25.00	635	2.77	70.40	28	2.50	64	11.75	298	13.00	330	RF/RTJ	7644	3467.24

Main Dimensions

Class 900LB

Size		A		B		t		Quantity	Stud details				Connect- ing end	Weight			
NPS	DN	in	mm	in	mm	in	mm		Dimension		RF stud length			RTJ stud length		lbs	kg
2"	50	8.50	216	2.75	70	0.75	19.10	8	0.88	22	4.25	108	4.75	121	RF/RTJ	36.26	16.66
3"	80	9.50	241	3.25	83	0.75	19.10	8	0.88	22	4.00	102	4.50	114	RF/RTJ	58.8	26.46
4"	100	11.50	292	4.00	102	0.84	21.30	8	1.13	29	5.00	127	5.50	140	RF/RTJ	93.1	42.14
6"	150	15.00	381	6.25	159	1.03	26.20	12	1.13	29	5.25	133	5.75	146	RF/RTJ	249.9	113.68
8"	200	18.50	470	8.13	207	1.25	31.80	12	1.38	35	6.25	159	6.75	171	RF/RTJ	470.4	213.64
10"	250	21.50	546	9.50	241	1.44	36.60	16	1.38	35	6.50	165	7.00	178	RF/RTJ	715.4	324.38
12"	300	24.00	610	11.50	292	1.66	42.20	20	1.38	35	6.75	171	7.25	184	RF/RTJ	833	378.28
14"	350	25.25	641	14.00	356	1.81	46.00	20	1.50	38	7.25	184	7.75	197	RF/RTJ	1225	555.66
16"	400	27.75	705	15.13	384	2.06	52.30	20	1.63	41	7.75	197	8.50	216	RF/RTJ	1617	733.04
18"	450	31.00	787	17.75	451	2.25	57.20	20	1.88	48	8.50	216	9.50	241	RF/RTJ	2450	1111.32
20"	500	33.75	857	17.75	451	2.50	63.50	20	2.00	51	9.25	235	10.00	254	RF/RTJ	2842	1288.7
24"	600	41.00	1041	19.50	495	2.88	73.20	20	2.50	64	11.00	279	12.00	305	RF/RTJ	4312	1956.08

Main Dimensions

Class 1500LB

Size		A		B		t		Quantity	Stud details				Connect- ing end	Weight			
NPS	DN	in	mm	in	mm	in	mm		Dimension		RF stud length			RTJ stud length		lbs	kg
2"	50	8.50	216	2.75	70	0.75	19.10	8	0.88	22	4.25	108	4.75	121	RF/RTJ	34.3	15.68
3"	80	10.50	267	3.25	83	0.94	23.90	8	1.13	29	5.25	133	5.75	146	RF/RTJ	69.58	31.36
4"	100	12.25	311	4.00	102	1.13	28.70	8	1.25	32	6.00	152	6.25	159	RF/RTJ	147	66.64
6"	150	15.50	394	6.25	159	1.50	38.10	12	1.38	35	7.25	184	7.75	197	RF/RTJ	259.7	117.6
8"	200	19.00	483	8.13	207	1.88	47.80	12	1.63	41	8.25	210	9.00	229	RF/RTJ	524.5	278.32
10"	250	23.00	584	9.75	248	2.25	57.20	12	1.88	48	9.50	241	10.25	260	RF/RTJ	782.04	354.76
12"	300	26.50	673	12.00	305	2.63	66.80	16	2.00	51	10.50	267	11.50	292	RF/RTJ	1372	622.3
14"	350	29.50	749	14.00	356	2.75	69.90	16	2.25	57	11.50	292	12.75	324	RF/RTJ	2352	1067.22
16"	400	32.50	826	15.13	384	3.13	79.50	16	2.50	64	12.75	324	14.00	356	RF/RTJ	2450	1111.32
18"	450	36.00	914	18.44	468	3.50	88.90	16	2.75	70	14.00	356	15.25	387	RF/RTJ	3822	1733.62
20"	500	38.75	984	21.00	533	3.88	98.60	16	3.00	76	15.25	387	16.75	425	RF/RTJ	5684	2578.38
24"	600	40.00	1168	22.00	559	4.50	114.30	16	3.50	89	17.50	445	19.25	489	RF/RTJ	7056	3200.68