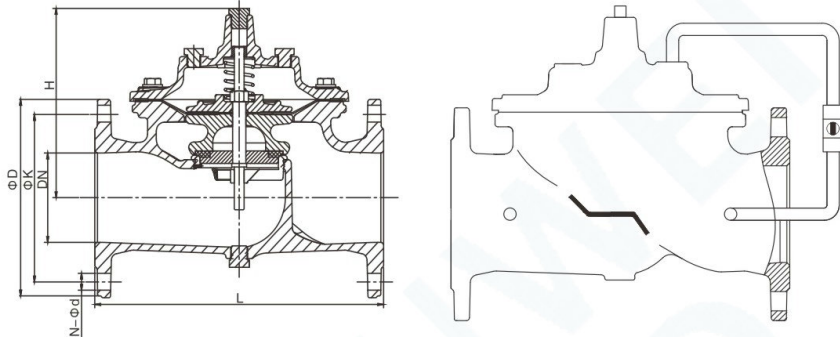


A300 SLOW CLOSING CHECK VALVE



Main External and Connection Dimension

Unit: mm

DN	L	H	ΦD				ΦK				N-Φd			
			PN10	PN16	PN25	PN40	PN10	PN16	PN25	PN40	PN10	PN16	PN25	PN40
40	230	139	150				110				4-Φ19			
50	230	139	165				125				4-Φ19			
65	290	159	185				145				4-Φ19		8-Φ19	
80	310	179	200				160				8-Φ19			
100	350	214	220		235		180		190		8-Φ19		8-Φ23	
125	400	275	250		270		210		220		8-Φ19		8-Φ28	
150	480	333	285		300		240		250		8-Φ23		8-Φ28	
200	600	407	340		360 375		295		310 320		8-Φ23 12-Φ23		12-Φ28 12-Φ31	
250	730	476	405		425		350 355		370		12-Φ23 12-Φ28		12-Φ31	
300	850	526	460		485		400 410		430		12-Φ23 12-Φ28		16-Φ31	
350	980	580	520		555		460 470		490		16-Φ23 16-Φ28		16-Φ34	

Main External and Connection Dimension

Unit: mm

DN	L	H	ΦD		ΦK		N-Φd	
			PN10	PN16	PN10	PN16	PN10	PN16
400	1100	670	580		515 525		16-Φ28 16-Φ31	
500	1250	790	670 715		620 650		20-Φ28 20-Φ34	
600	1450	930	780 840		725 770		20-Φ31 20-Φ37	

Note: This product structure length conforms to JB/T 10674 standard.

Feature

When there is a water hammer at the downstream outlet end, the main valve is quickly closed to prevent the downstream water hammer from damaging the upstream pipe network and equipment. At the same time, when the pump is turned on to supply water and the pipeline is in a state of no water pressure, Slow closing check valve slowly open downstream water supply, reduce the impact of high-speed water flow on downstream pipelines and equipment.

