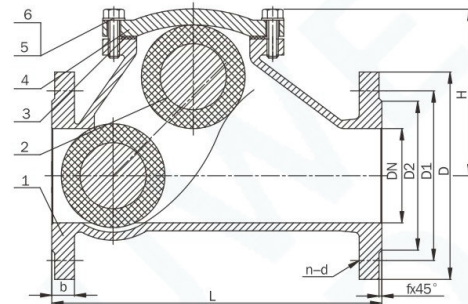




SKIDWAY BALL TYPE CHECK VALVE



Product Function

Function: Automatically opens and closes the spherical valve disc by means of the flow of the medium itself to prevent the medium from flowing backwards;
Application Area: Petroleum, chemical, metallurgy, water treatment, etc.

Product Characteristic

1. The ball valve disc is closed quickly;
2. Simple structure, lightweight;
3. Good seal performance;
4. Long service life and high reliability;

Material of Main Parts

No.	Component	Material	Standard
1	Body	Cast Iron	GG25
2	Ball Float	EPDM/ Aluminium	
3	Gasket	EPDM	
4	Bonnet	Cast Iron	GG25
5	Bolt	Zinc Plated Carbon Steel	
6	Washer	Zinc Plated Carbon Steel	

Main External and Connection Dimension

DIN3302 F6 PN16

DN	D	D1	D2	L	b	H	f	n-d
40	150	110	88	180	18	125	3	4-Φ18
50	165	125	102	200	20	140	3	4-Φ18
65	185	145	122	240	20	150	3	4-Φ18
80	200	160	138	260	22	162	3	8-Φ18
100	220	180	158	300	24	194	3	8-Φ18
125	250	210	188	350	26	242	3	8-Φ18
150	285	240	212	400	26	277	3	8-Φ23
200	340	295	268	500	30	362	3	12-Φ23
250	405	355	320	600	32	418	3	12-Φ27
300	460	410	378	700	32	497	4	12-Φ27