



## ■ RUBBER DISC SWING CHECK VALVE

### Product Overview

The valve adopts full flow area type design, which has the characteristics of small head loss, not easy to accumulate sundries, and simple maintenance. It is mainly suitable for water supply and drainage system, and can be installed at the outlet of water pump to prevent the damage of backflow and water hammer to the pump. It can also be installed on the bypass pipe of the water inlet and outlet pipes of the reservoir to prevent the backflow of the pool water to the water supply system.

### Product Features

1. Light valve body, short opening and closing stroke of disc, streamlined structure, small flow resistance.
2. Short closing time, fast closing function and good energy saving effect.

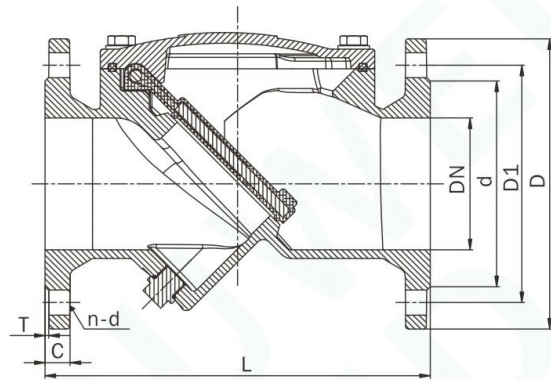
### Main Technical Parameters

<b>Test pressure</b>	PN10 Shell: 1.5MPa Seal: 1.1MPa PN16 Shell: 2.4MPa Seal: 1.76MPa PN25 Shell: 3.75MPa Seal: 2.75MPa
<b>Face to face</b>	In accordance with EN 558-1
<b>Inspection standard</b>	In accordance with EN 12266
<b>Applicable temperature</b>	0°C~80°C
<b>Connection End</b>	Flange: EN 1092-2
<b>Surface treatment</b>	Epoxy powder coating, 150-500um, according to AWWA C550 standard.
<b>Application range</b>	Drinking water, water supply and drainage, sewage treatment, irrigation, air conditioning, fire pipe, etc.

### Material of Main Parts

No.	Component	Material
01	Body	Ductile iron GGG50
02	Bolt	Galvanized carbon steel
03	Disc	Ductile iron GGG50/EPDM
04	Bonnet	Ductile iron GGG50
05	Gasket	NBR or EPDM
06	Plug	Ductile iron GGG50

## RUBBER DISC SWING CHECK VALVE



### Main External and Connection Dimension

PN 10/16/25MPa

DN		PN	Dimensions(mm)						
inch	mm		L	D	D1	d	C	T	n-d
2"	50	10/16/25	203	165	125	99	19	3	4-Φ19
2.5"	65	10/16/25	216	185	145	118	19	3	4-Φ19
3"	80	10/16/25	241	200	160	132	19	3	8-Φ19
4"	100	10/16	292	220	180	156	19	3	8-Φ19
		25	292	235	190	156	19	3	8-Φ23
6"	150	10/16	356	285	240	211	19	3	8-Φ23
		25	356	300	250	211	20	3	8-Φ28
8"	200	10	495	340	295	266	20	3	8-Φ23
		16	495	340	295	266	20	3	12-Φ23
		25	495	360	310	274	22	3	12-Φ28
10"	250	10	622	405	350	319	22	3	12-Φ23
		16	622	405	355	319	22	3	12-Φ28
		25	622	425	370	330	24.5	4	12-Φ31
12"	300	10	698	460	400	370	24.5	4	12-Φ23
		16	698	460	410	370	24.5	4	12-Φ28
		25	698	485	430	389	27.5	4	12-Φ31