



## ■ FLANGE TYPE MIDLINE BUTTERFLY VALVE

### Product Overview

The valve has the advantages of small volume, light weight and good bidirectional sealing performance. It is a kind of valve which can be opened and closed by 90° rotation of butterfly plate. It can not only cut off the medium, but also regulate the flow of medium.

### Product Features

1. Small and light, easy to disassemble and repair, can be installed at any position.
2. The structure is simple and compact, and the 90° rotary opening and closing are fast. The gas leakage is zero.
3. Small operating torque, energy saving lightweight.
4. Flow characteristics tend to be straight, with good adjustment performance.
5. The number of opening and closing experiments reaches 10000 times, with a long life.
6. Choose different parts can be applied to a variety of media.

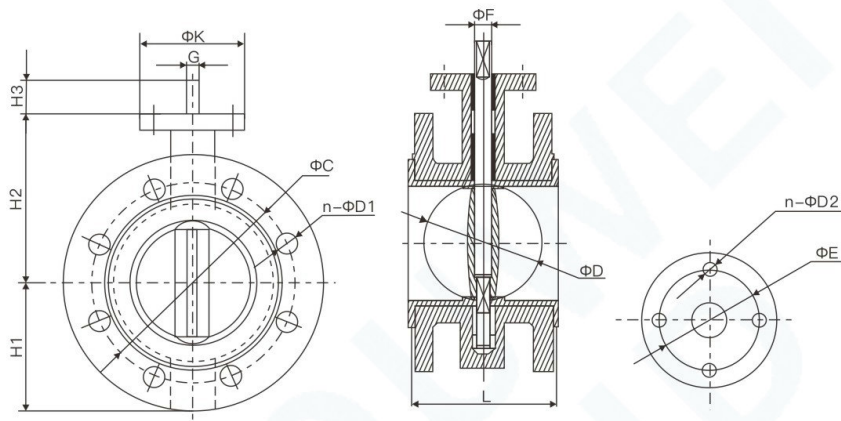
### Main Technical Parameters

<b>Test pressure</b>	PN6 Shell: 0.9MPa    Seal: 0.66MPa PN10 Shell: 1.5MPa    Seal: 1.1MPa PN16 Shell: 2.4MPa    Seal: 1.76MPa
<b>Connection End</b>	Flange: EN1092-2
<b>Drive way</b>	Manual, Worm gear, Electric, Pneumatic
<b>Applicable temperature</b>	0°C~80°C
<b>Surface treatment</b>	Epoxy powder coating, 150-500um, according to AWWA C550 standard.
<b>Application range</b>	Drinking water, water supply and drainage, sewage treatment, irrigation, fire and other pipelines.

### Material of Main Parts

No.	Component	Material
01	Body	Ductile iron GGG50
02	Plate	Ductile iron plating GGG50 Ductile iron is nickel plated GGG50 Stainless steel CF8 Carbon steel
03	Shaft	Stainless steel
04	Bushing	Nylon 1010
05	Rubber seat	EPDM NBR

## FLANGE TYPE MIDLINE BUTTERFLY VALVE



### Main External and Connection Dimension

PN 1.0/1.6MPa

DN		Dimensions(mm)												
inch	mm	L	H1	H2	H3	PN16		ISO 5211	ΦK	ΦE	ΦD	n-ΦD2	ΦF	G
						ΦC	n-ΦD1							
2"	50	108	80	110	32	125	4-Φ19	F07	90	70	53.9	4-Φ8	14	9.53
2.5"	65	112	80	131	32	145	4-Φ19	F07	90	70	65.2	4-Φ8	14	9.53
3"	80	114	95	134	32	160	8-Φ19	F07	90	70	79.7	4-Φ8	14	9.53
4"	100	127	113	150	32	180	8-Φ19	F07	90	70	105	4-Φ10	16	11.14
5"	125	140	114	170	32	210	8-Φ19	F07	90	70	130	4-Φ10	16	11.14
6"	150	140	139	180	32	240	8-Φ23	F07	90	70	155.8	4-Φ10	20	12.7
8"	200	152	175	210	45	295	12-Φ23	F10	125	102	206.7	4-Φ12	26	20.6
10"	250	165	203	245	45	355	12-Φ28	F10	125	102	253.25	4-Φ12	26	20.6
12"	300	178	242	276	45	410	12-Φ28	F10	125	102	301.85	4-Φ12	28	22.1
14"	350	190	250	328	45	470	16-Φ28	F10	125	102	333.3	4-Φ12	31.6	22.1
16"	400	216	277	376	51.2	525	16-Φ31	F14	175	140	389.6	4-Φ18	33.15	22.1
18"	450	222	295.2	406.6	51.2	585	20-Φ31	F14	175	140	440.5	4-Φ18	38	27
20"	500	229	330	448	64.2	650	20-Φ34	F14	175	140	491.6	4-Φ18	41.15	27
24"	600	267	420	518	70.2	770	20-Φ37	F16	210	165	592.5	4-Φ22	50.65	36
DN		L	H1	H2	H3	PN 10		ISO 5211	ΦK	ΦE	ΦD	n-ΦD2	ΦF	G
inch	mm					ΦC	n-ΦD1							
28"	700	292	450	560	66	840	24-Φ31	F25	300	254	695	8-Φ18	63.5	46
32"	800	318	501	620	66	950	24-Φ34	F25	300	254	794.7	8-Φ18	63.5	46
36"	900	330	558	692	118	1050	28-Φ34	F25	300	254	864.7	8-Φ18	75	55
40"	1000	410	622	735	142	1160	28-Φ37	F25	350	298	965	8-Φ18	85	55