



■ LUG TYPE WAFER BUTTERFLY VALVE

Product Overview

The valve is applicable to the pipelines of petroleum, chemical industry, food, medicine, papermaking, hydropower, ship, water supply and drainage, smelting, energy and other systems. It can be used as regulating and closure equipment on various corrosive and non corrosive gas, liquid, semi fluid and solid powder pipes and containers.

Product Features

1. Small and light, easy to disassemble and repair, can be installed at any position.
2. The structure is simple and compact, and the 90° rotary opening and closing are fast. The gas leakage is zero.
3. Small operating torque, energy saving lightweight.
4. Flow characteristics tend to be straight, with good adjustment performance.
5. The number of opening and closing experiments reaches 10000 times, with a long life.
6. Choose different parts can be applied to a variety of media.

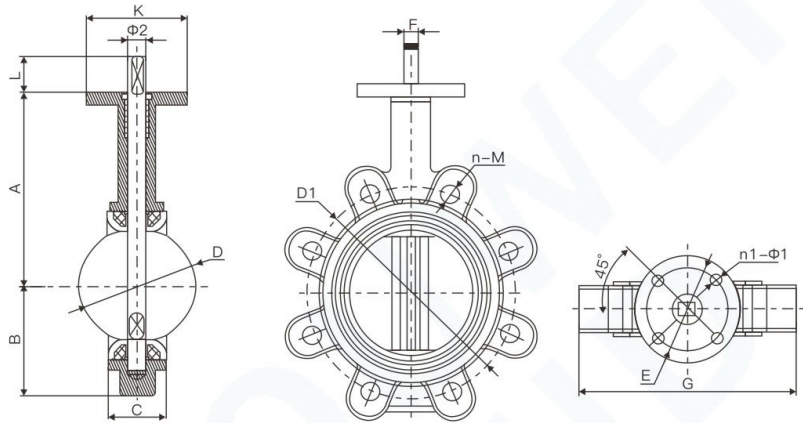
Main Technical Parameters

Test pressure	PN6 Shell: 0.9MPa Seal: 0.66MPa PN10 Shell: 1.5MPa Seal: 1.1MPa PN16 Shell: 2.4MPa Seal: 1.76MPa
Drive way	Manual, Worm gear, Electric, Pneumatic
Applicable temperature	0°C~80°C
Surface treatment	Epoxy powder coating, 150-500um, according to AWWA C550 standard.
Application range	Drinking water, water supply and drainage, sewage treatment, irrigation, fire and other pipelines.

Material of Main Parts

No.	Component	Material
01	Body	Ductile iron GGG50
02	Plate	Ductile iron plating GGG50 Ductile iron is nickel plated GGG50 Stainless steel CF8 Carbon steel
03	Shaft	Carbon steel Stainless steel
04	Bushing	Nylon 1010
05	Rubber seat	EPDM NBR

LUG TYPE WAFER BUTTERFLY VALVE



Main External and Connection Dimension

PN 1.0/1.6MPa

DN		Dimensions(mm)														
inch	mm	A	B	C	D	L	D1		n-M		K	E	n1-Φ1	Φ2	G	F
							1.0	1.6	1.0	1.6						
							2"	50	140.5	64.5						
2.5"	65	153	72	46	65.2	32	145	145	4-M16	4-M16	90	70	4-Φ10	14	139	9.53
3"	80	157.5	86	46	79.7	32	160	160	8-M16	8-M16	90	70	4-Φ10	14	184	9.53
4"	100	176	79.5	52	105	32	180	180	8-M16	8-M16	90	70	4-Φ10	16	212	11.14
5"	125	191	112	56	130	32	210	210	8-M16	8-M16	90	70	4-Φ10	16	239	11.14
6"	150	202.5	128	56	155.8	32	240	240	8-M20	8-M20	90	70	4-Φ10	20	266	12.7
8"	200	243.5	162	60	206.7	45	295	295	8-M20	12-M20	125	102	4-Φ12	26	330	20.6
10"	250	273	194	68	253.25	45	350	350	12-M20	12-M24	125	102	4-Φ12	26	396	20.6
12"	300	311	223	78	301.85	45	400	410	12-M20	12-M24	125	102	4-Φ12	28	465	22.1
14"	350	368	267	76.5	333.3	45	460	470	16-M20	16-M24	125	102	4-Φ12	31.6	515	22.1
16"	400	400	307	86.5	389.6	51.2/72	515	525	16-M24	16-M27	175	140	4-Φ18	33.15	579	22.1
18"	450	422	328	105.6	440.5	51.2/72	565	585	20-M24	20-M27	175	140	4-Φ18	38	627	27
20"	500	480	361	131.8	491.6	64.2/82	620	650	20-M24	20-M30	175	140	4-Φ18	41.15	696	27
24"	600	562	459	152	592.5	70.2/82	725	770	20-M27	20-M33	210	165	4-Φ22	50.65	821	36